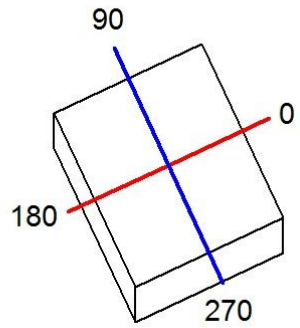


136mm x 116mm



C Halfplanes

180.0 — 0.0

270.0 — 90.0

Flux 1700.00 lm

Maximum 418.34 cd/klm

Position C=90.00 G=7.00

Efficiency: 100.00%

Date: 11-04-2016

Asymmetrical

